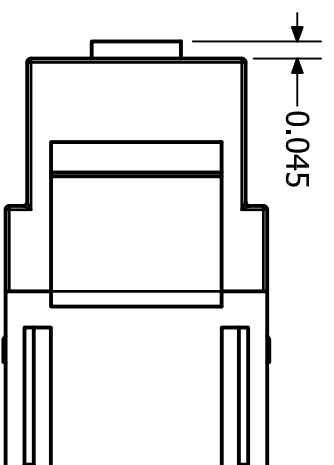
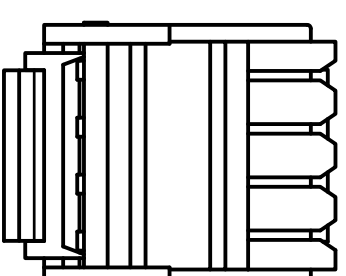
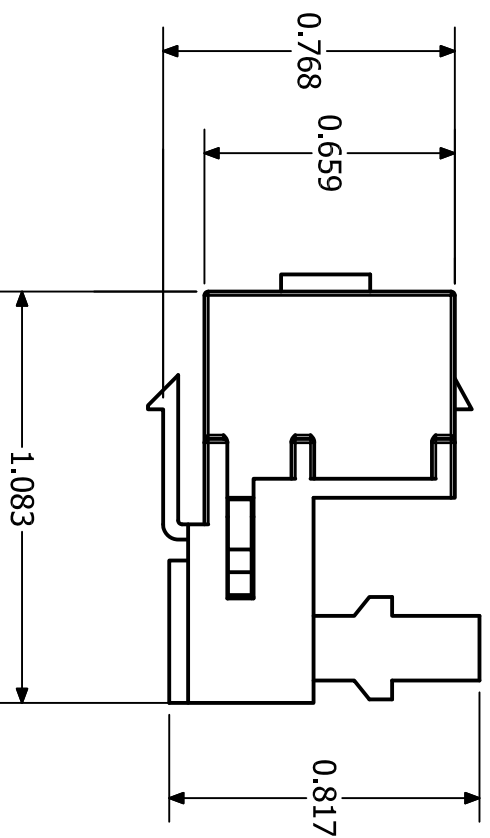
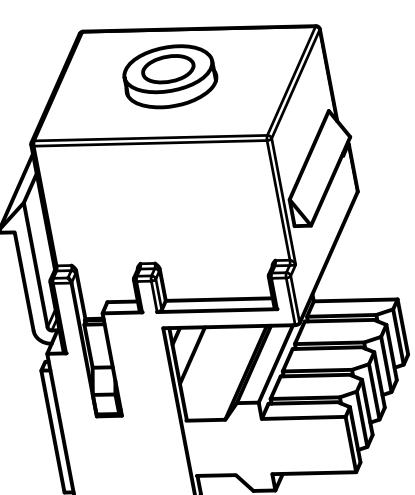
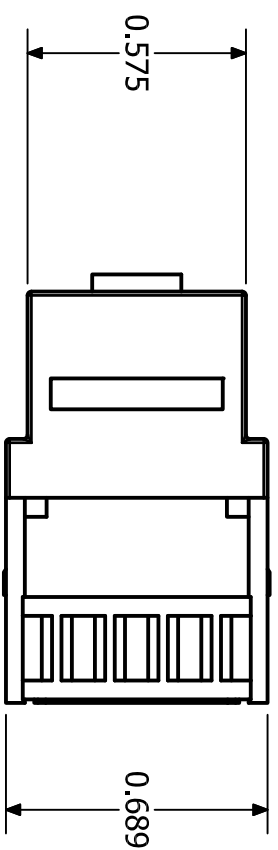


ITEM NO.	DESCRIPTION	QTY.
1	3.5mm SNAP FIT CONNECTOR	1

CATALOG NUMBER	HOUSING COLOR	DESCRIPTION
SF35110BK	BLACK	3.5mm SNAP FIT, 110 TERMINATION



- NOTES:
1. COMPATIBLE WITH ALL HPW PRODUCTS THAT CONTAIN A KEYSTONE OPENING.
 2. FOR USE WITH STANDARD UTP CABLE (C5e, C6, OR C6A).
 3. SPECIFICATIONS SUBJECT TO CHANGE WITHOUT NOTICE.

REV.	ECN	DATE	DESCRIPTION	CHG BY	APPD BY
1	17970	7/18/12	INITIAL RELEASE	CG	

Created on AUTOCAD

DIMENSIONING AND TOLERANCE PER
ANSI Y14.5M-1982
UNLESS OTHERWISE SPECIFIED,
DIMENSIONS ARE IN INCHES (MM).
TOLERANCES:
.XX = ±.01 (.25)
.XXX = ±.005 (.127)
.XXXX = ±.0025 (.0635)
ANGLE TOL. ±1°

PROJECT REFERENCE:
014-12

MATERIAL:
SEE NOTES

DRAWN BY:
C. GRIBBLE 7/18/12

CHECKED BY:

APPROVED BY:

HUBBELL
Hubbell Premise Wiring
HUBBELL INCORPORATED (Delaware)
23 CLARA DRIVE, SUITE 103 MWSTIC, CT 06355

TITLE: SNAP FIT, 3.5mm STEREO, 110 TERMINATION

SIZE: C
DRAWING NO.: HWS13056C
SCALE: 1/1

SHEET: 1 OF 1

REV.: 1